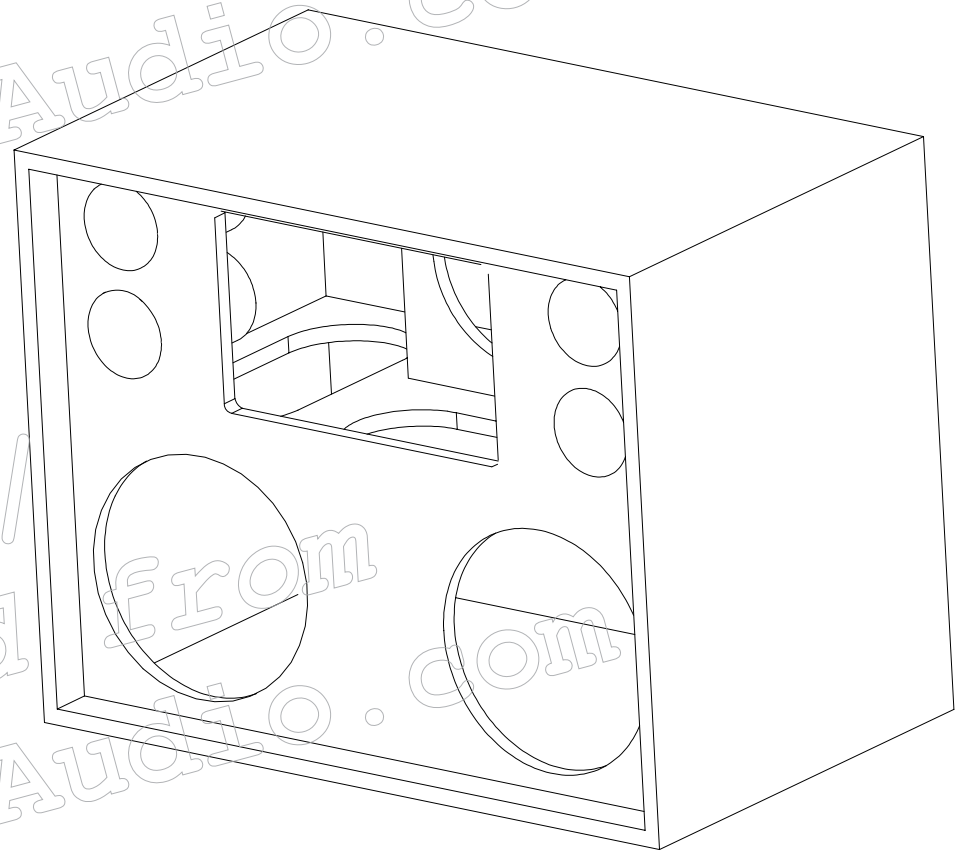
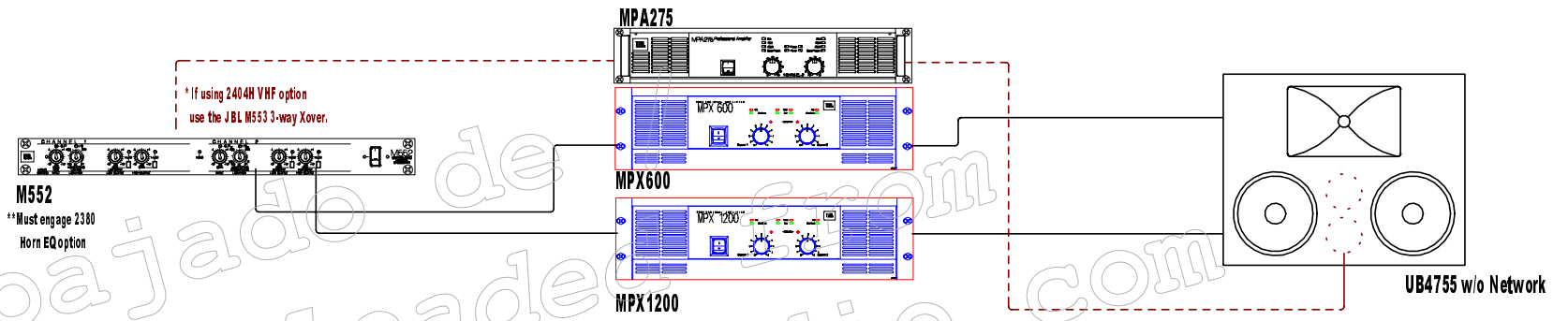


UB4755 Performance Specifications

LF Components	2206H (2)
HF Components	2446J w/ 2380A
Sensitivity	198 dB SPL
Power Handling	1200 W LF, 150 W HF
Max Peak SPL	135 dB
Frequency Response	55 - 18k Hz

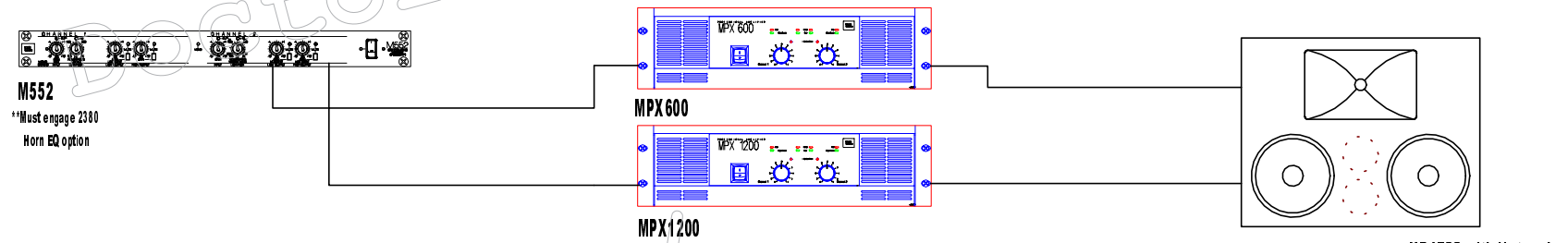


Xover Freq:
 LF/HF 800 - 1200 Hz
 HF/VHF 7kHz



UB4755 Active 2 way (3-way optional) Configuration

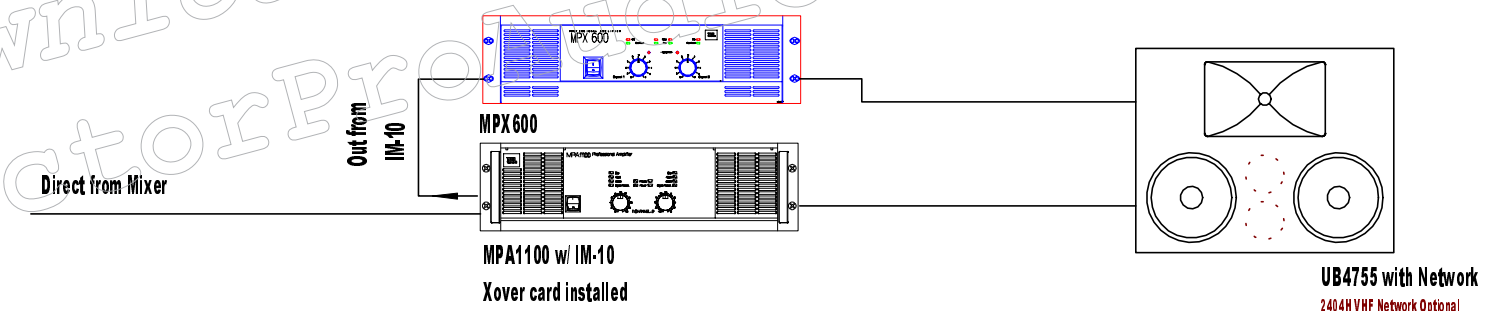
Xover Freq:
 LF/HF 800 - 1200 Hz



UB4755 w/ Passive HF (Optional VHF) Network Option 1

Xover Freq:
 LF/HF 800 or 1200 Hz

* This option can also be used for Active 2-way operation. IM-10 includes 2380 Horn EQ.



UB4755 w/ Passive HF (Optional VHF) Network Option 2